



### 230V AC operators with control board, limit switches and encoder

| COD.   | Art.          | EN                   | kg     | gears | DEA     | ENCODER | OTHER CHARACTERISTICS   |
|--------|---------------|----------------------|--------|-------|---------|---------|---|
| 614140 | <b>6NET</b>   | EN 12453<br>EN 12445 | 600 kg | ●     | NET230N | ●       | <ul style="list-style-type: none"> <li>- Self locking with limit switches (magnetic only for version 6NET/M)</li> <li>- Speed adjustment and slow down in opening and closing</li> <li>- Motor control by encoder and obstacle detection</li> </ul> |
| 614141 | <b>6NET/M</b> | EN 12453<br>EN 12445 | 600 kg | ●     | NET230N | ●       |   |
| 615180 | <b>9NET</b>   | EN 12453<br>EN 12445 | 900 kg | ●     | NET230N | ●       |   |

All models have: fixing plate (to be screwed) included

### 24V DC operators with control board and limit switches

| COD.   | Art.             | EN                   | kg     | gears | DEA    | OTHER CHARACTERISTICS   |
|--------|------------------|----------------------|--------|-------|--------|---|
| 614121 | <b>5/24NET/F</b> | EN 12453<br>EN 12445 | 500 kg | ●     | NET24N | <ul style="list-style-type: none"> <li>- Self locking with limit switches</li> <li>- Speed adjustment and slow down in opening and closing</li> </ul> |
| 615161 | <b>8/24NET/F</b> | EN 12453<br>EN 12445 | 800 kg | ●     | NET24N | <ul style="list-style-type: none"> <li>- Anti-crushing safety device</li> </ul>   |

All models have: fixing plate (to be screwed) included

### 212E 230V AC operators with control board and limit switches

| COD.    | Art.        | kg     | gears | DEA  | OTHER CHARACTERISTICS  |
|---------|-------------|--------|-------|------|--|
| 614110* | <b>403E</b> | 400 kg | ●     | 212E | <ul style="list-style-type: none"> <li>- Self locking with limit switches</li> <li>- Electronic force adjustment</li> </ul>                |
| 615150* | <b>803E</b> | 800 kg | ●     | 212E | <ul style="list-style-type: none"> <li>- Automatic working time learning</li> <li>- Controlled input for external safety device</li> </ul> |

All models have: fixing plate (to be screwed) included

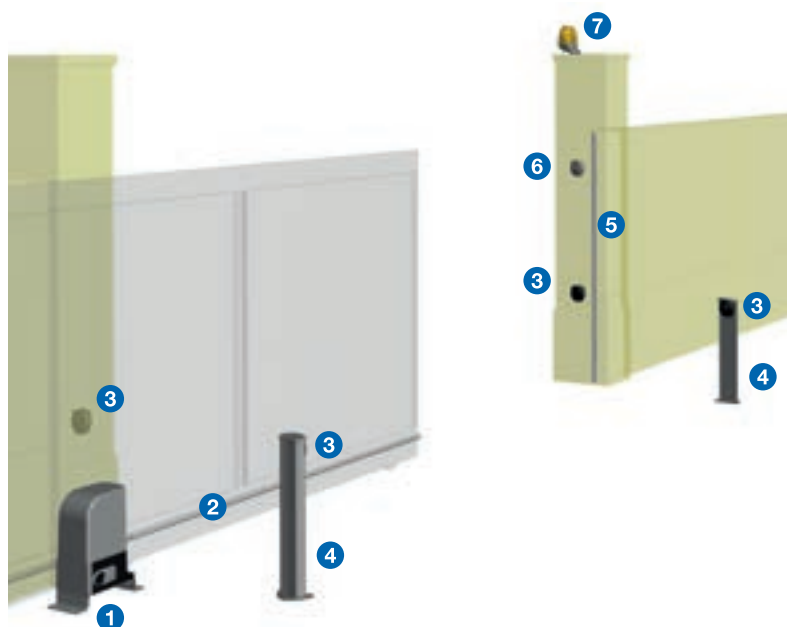
\* In order to respect the limit of impact forces foreseen by EN 13241-1, you must use the external safety devices in compliance with EN 12978.

| TECHNICAL INFO                | 403E - 6NET               | 803E - 9NET               | 5/24NET/F | 8/24NET/F |
|-------------------------------|---------------------------|---------------------------|-----------|-----------|
| Motor power supply (V)        | 230V AC ~ ±10% (50/60 Hz) | 230V AC ~ ±10% (50/60 Hz) | 24V DC    | 24V DC    |
| Maximum power absorption (W)  | 320                       | 450                       | 80        | 110       |
| Max thrust (N)                | 340                       | 490                       | 210       | 260       |
| Duty cycle (cycles/h)*        | 18                        | 11                        | 22        | 18        |
| N. max. cycles in 24h*        | 60                        | 40                        | 60        | 40        |
| Built-in capacitor (µF)       | 8                         | 12,5                      | \         | \         |
| Operating temperature (°C)    | -20 ÷ 40                  | -20 ÷ 40                  | -20 ÷ 40  | -20 ÷ 40  |
| Motor thermal protection (°C) | 140                       | 160                       | \         | \         |
| Speed (m/min)                 | 10                        | 10                        | 10        | 10        |
| Standard pinion               | Z16                       | Z16                       | Z16       | Z16       |
| Weight with packing (Kg)      | 11                        | 12,5                      | 12        | 12        |
| Protection level              | IPX4                      | IPX4                      | IPX4      | IPX4      |

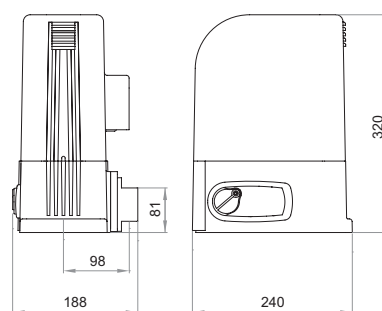
\* For a 5m leaf length



EXAMPLE OF A TYPICAL INSTALLATION



DIMENSIONS




**1**  Cod. 614140  
**Art. 6NET**  
Automation for residential sliding gates

 Cod. 619010  
**Art. 460**  
Foundation plate to be cemented

**2**  Cod. 619000  
**Art. 111**  
Nylon rack, with fixing screws (1m)

**3**  Cod. 662030  
**Art. 104LUX**  
Pair of adjustable (15°) surface mounted photocells

**4**  Cod. 664000  
**Art. PILLY/60**  
Pair of aluminium columns for photocells, height 55 cm

**5**  Cod. 171035  
**Art. C-20**  
Mechanical safety edge 2m

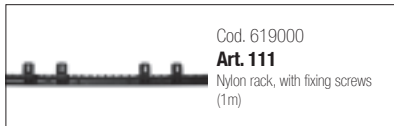
**6**  Cod. 663030  
**Art. 102LUX**  
Keypad with two contacts, surface mounted. Supplied with 2 keys.

**7**  Cod. 661062  
**Art. LED230AI**  
Led flashing light 230V with built-in antenna 433MHz

 Cod. 672580  
**Art. TR2**  
2 channels remote control  
Black version art. TR2N also available (page 132)

 Cod. 668010  
**Art. 127**  
Warning sign

## SPECIFIC ACCESSORIES



Cod. 619000  
**Art. 111**  
Nylon rack, with fixing screws (1m)



Cod. 619040  
**Art. 450**  
Unlocking device by cable for LVI (4,5m). To be used with BLINDOS



Cod. 672920  
**Art. D-BAND KIT**  
Wireless transmitter and receiver kit in 868 MHz, for resistive or mechanical safety edges



Cod. 171034  
**Art. C-16**  
Mechanical safety edge 1,6m



Cod. 126001  
**Art. 112**  
Galvanized steel rack 22x22mm (1m)



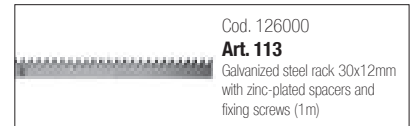
Cod. 665000  
**Art. BLINDOS**  
Safety enclosure to place external unlocking device handle



Cod. 171035  
**Art. C-20**  
Mechanical safety edge 2m



Cod. 171040  
**Art. CR-25**  
Resistive safety edge 2,5m, according to EN12978



Cod. 126000  
**Art. 113**  
Galvanized steel rack 30x12mm with zinc-plated spacers and fixing screws (1m)



Cod. 619010  
**Art. 460**  
Foundation plate to be cemented



Cod. 171039  
**Art. CR-20**  
Resistive safety edge 2m, according to EN12978



Cod. 667053  
**Art. Soft3**  
Safety rubber profile (complete with aluminium base) useful to reduce the impact forces for sliding and swing gates (12m)

## OTHER ACCESSORIES



Cod. 661082  
**Art. LED24AI**  
Led flashing light 24V with built-in antenna 433MHz



Cod. 672590  
**Art. TR4**  
4 channels remote control Black version art. TR4N also available (page 132)



Cod. 662044  
**Art. LINEAR**  
Pair of adjustable photocells (180°) with possibility of synchronized operating. Range 20m



Cod. 663060  
**Art. KYO**  
Aluminium vandal-proof keyswitch, surface mounted.



Cod. 664000  
**Art. PILLY/60**  
Pair of aluminium columns for photocells, height 55 cm



Cod. 681053  
**Art. Green Energy/N**  
Solar power kit. Solar panel not included (pag. 130)



Cod. 661062  
**Art. LED230AI**  
Led flashing light 230V with built-in antenna 433MHz



Cod. 662020  
**Art. 104MINILUX**  
Pair of surface mounted photocells.



Cod. 662043  
**Art. LINEAR/B**  
Pair of adjustable photocells (180°) with bx supplied by a LiOn battery. Range 7/15m



Cod. 663280  
**Art. DIGIRAD**  
Wireless keypad



Cod. 664010  
**Art. PILLY/120**  
Pair of aluminium columns for photocells, height 100cm



Cod. 672580  
**Art. TR2**  
2 channels remote control Black version art. TR2N also available (page 132)



Cod. 662030  
**Art. 104LUX**  
Pair of adjustable (15°) surface mounted photocells



Cod. 681060  
**Art. COVER**  
Vandal-proof aluminium cover for art. LINEAR and LINEAR/B



Cod. 664020  
**Art. PILLY/base**  
Pair of fixing plates for columns to be cemented.



Cod. 629290  
**Art. BAT**  
Rechargeable batteries kit for 24V operators, 12V - 1,2Ah, complete with wiring cables