

DEMAX DS100



Demax is fast and safe

- DEMAX automatic doors have a reverse-on-contact application that responds quickly even to the slightest contact with people or objects.
- We programmed in an additional safety function that closes an opening door when the opening doors come in contact with an obstacle
- Unlike other automatic doors even when the closing speed of doors is maximized, safe performance is ensured.
- The fast performance helps energy saving.

"Demax is fast, safe, and has a One-year Guarantee"

DEMAX DS200



DEMAX has a One-year Guarantee

- DEMAX offers the best quality and durability.
- Our customers will experience at state-of-the-art automatic door technology that cannot be found in any other local product.

DEMAX

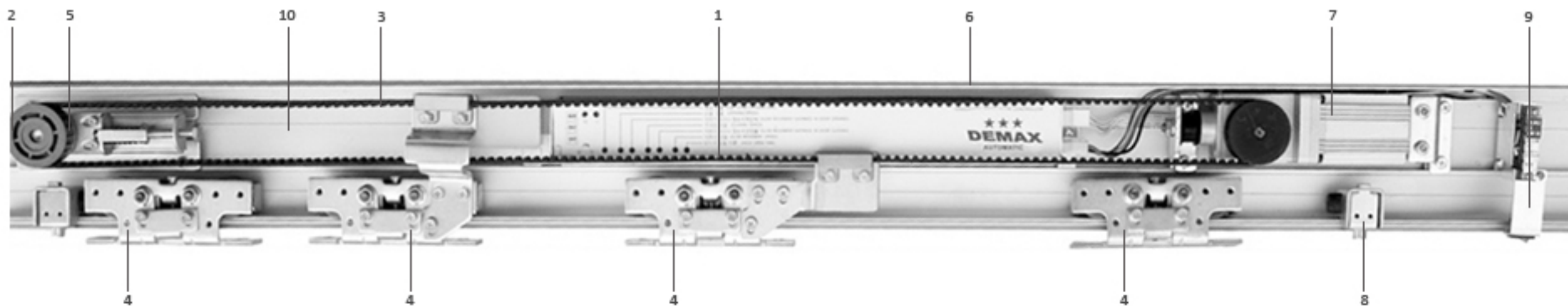
AUTOMATIC DOOR



On-par with world class products. DEMAX automatic doors have a short open/close brake end system that comes with smooth, flexible, and fast performance.

DEMAX DS100

Technical Specification DS100



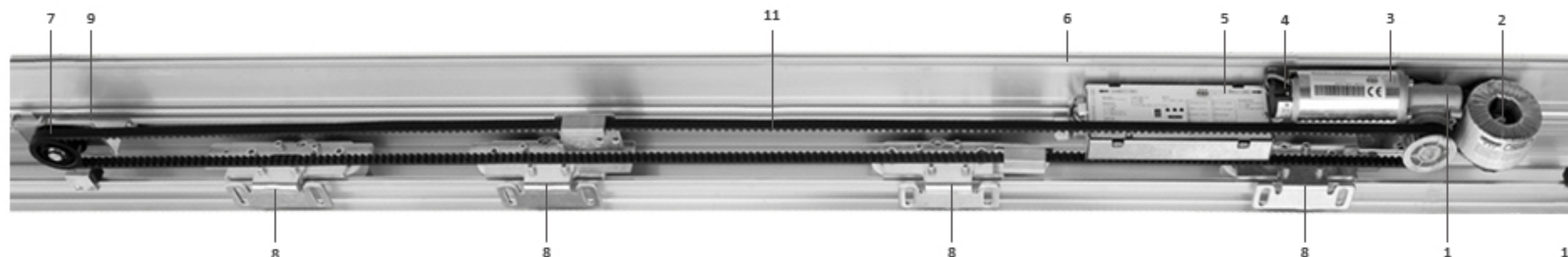
1. Control module
2. Idler pulley
3. Belt
4. Doorway pages rigging
5. Roller bracket
6. Guide rail
7. Motor
8. Door stopper
9. Power switch module
10. Battery unit's place

Sliding model	single leaf	double leaves
Gate leaf weight	≤ 1*100 kgs	≤ 2-100kgs
Gate leaf width	750-1600mm	650-1250mm
Opening Speed	250-550mm/s (adjustable)	
Closing Speed	250-550mm/s (adjustable)	
Showing Speed	30-100mm/s (adjustable)	
Lock in force	> 100N	
Manual pushing force	≤ 60N	

Master control	8 digital micro-computer processing controller
Installation	surface installation
Motor	24V55W brushless DC motor
Opening time of the gate	2-20s (adjustable)
Voltage	AC200V±10% 50Hz - 60 Hz
Power consumption	< 150W
Operating temperature	-20°C ~ +50°C

DEMAX DS200

Technical Specification DS200



1. Drive Device
2. Transformer
3. Motor
4. Demoter
5. Control Module
6. Guide Rail
7. Roller Bearing
8. Doorways Pages Rigging
9. Roller Bracket
10. Limit File
11. Belt

Technical parameters	
Height	200 mm
Installation depth	171 mm
Opening speed (adjustable)	15~50cm/s
Closing speed (adjustable)	15~45cm/s
Open dwell time	0.5 - 5 sec
Power requirements	AC 200-250V / 50-60 Hz
Work environment temperature	-20 ~ +50°C

Doors parameters	
Single-leaf	
Net open width	700-1500 mm
Max door weight	150 kg*2
Double leaves	
Net open width	600-1250 mm