



230V AC operators

without control board and rod cover

COD.	Art.				OTHER CHARACTERISTICS
627000	351/SC	●	320mm		For leafs up to 3m lenght
627012	351EN/SC	●	320mm	●	With encoder, for leafs up to 3m lenght
627021	352/SC	●	320mm		With limit switches, for leafs up to 3m lenght
627053	355/SC	●	520mm		For leafs up to 4,5m lenght
627052	355EN/SC	●	520mm	●	With encoder, for leafs up to 4,5m lenght
627061	356/SC	●	520mm		With limit switches, for leafs up to 4,5m lenght

All models have: adjustable fixing plates to be screwed included (art. LOOK/SFR), rod cover not included

Control board to complete the installation: control board cod. 677610 art. NET230N/C (with box)

Limit switches set up: articles 352 and 356 are supplied with built-in limit switches in open and closed position, to be connected to the control board.

24V DC operators

without control board and rod cover

COD.	Art.				OTHER CHARACTERISTICS
627092	371E/SC	●	320mm		For leafs up to 1,8m lenght
627090	371/SC	● ●	320mm		For leafs up to 3m lenght
627123	373/SC	● ●	520mm		For leafs up to 4,5m lenght

All models have: adjustable fixing plates to be screwed included (art. LOOK/SFR), rod cover not included

Control board to complete the installation: control board cod. 678261 art. NET24N/C (with box)

Rod cover

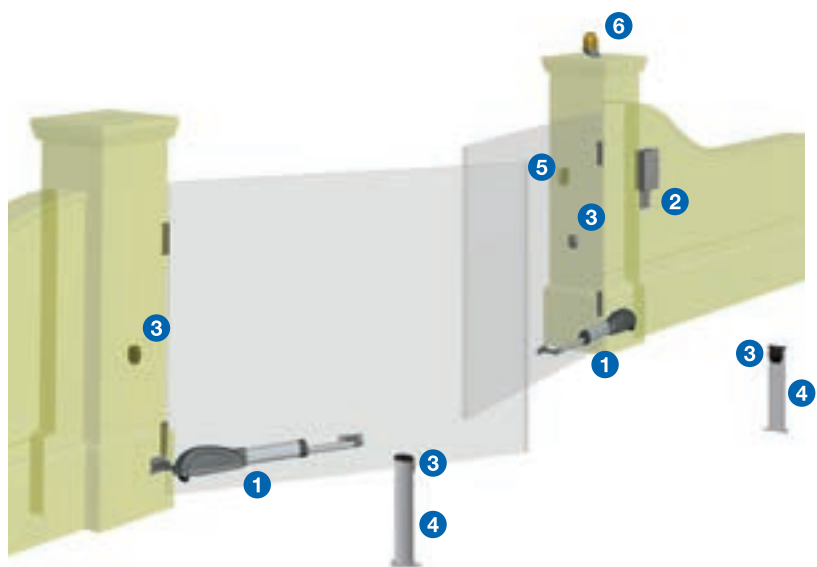


COD.	Art.		OTHER CHARACTERISTICS
629340	CS320	320mm	Rod cover stroke 320mm
629341	CS520	520mm	Rod cover stroke 520mm

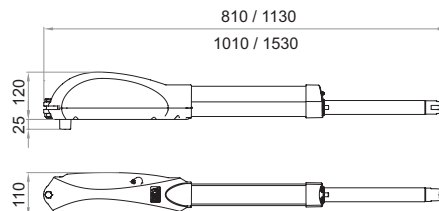
TECHNICAL INFO	351 352 351EN	355 356 355EN	371E	371	373
Motor power supply (V)	230V AC ± 10 % (50/60 Hz)	230V AC ± 10 % (50/60 Hz)	24V DC	24V DC	24V DC
Maximum power absorption (W)	300	300	50	60	60
Max thrust (N)	1650	1650	500	1000	1000
Duty cycle (cycles/hours)	22 - 25 (vers. 351EN)	22 - 25 (vers. 355EN)	10	40	40
N. max cycles in 24h.	110	110	50	110	110
Built-in capacitor (µF)	8	8	/	/	/
Operating temperature (°C)	-20 ÷ 50	-20 ÷ 50	-20 ÷ 50	-20 ÷ 50	-20 ÷ 50
Motor thermal protection (°C)	150	150	/	/	/
90° Opening time (s)	16	17	15	14	15
Weight with packing (Kg)	9	9,5	9	9	9
Protection level	IP24	IP24	IP24	IP24	IP24



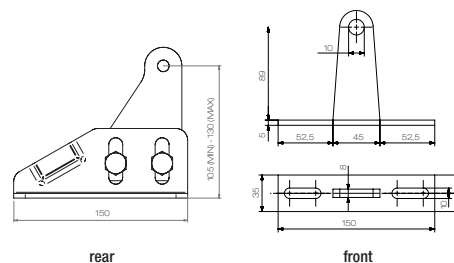
EXAMPLE OF A TYPICAL INSTALLATION




DIMENSIONS




FIXING PLATES



1  Cod. 627012
Art. 351EN/SC
Electromechanical automations for swing gates


2  Cod. 677610
Art. NET230N/C
Universal digital control board for 1 or 2 operators, 230V with or without magnetic encoder (with box)

3  Cod. 662030
Art. 104LUX
Pair of adjustable (15°) surface mounted photocells

4  Cod. 664000
Art. PILLY/60
Pair of aluminium columns for photocells, height 55 cm

5  Cod. 663030
Art. 102LUX
Keyswitch with two contacts, surface mounted. Supplied with 2 keys.

6  Cod. 661062
Art. LED230AI
Led flashing light 230V with built-in antenna 433MHz

 Cod. 672580
Art. TR2
2 channels remote control
Black version art. TR2N also available (page 132)

 Cod. 668010
Art. 127
Warning sign